

NOTICE: For installation by a qualified electrician in accordance with national and local electrical codes, and the following instructions.

CAUTION: Risk of electrical shock. Disconnect power before installing. Never wire energized components.

WARNING

DO NOT wire more than one operator to a single pole switch without an isolation control.

DO NOT connect more than one switch to an operator without an isolation control.

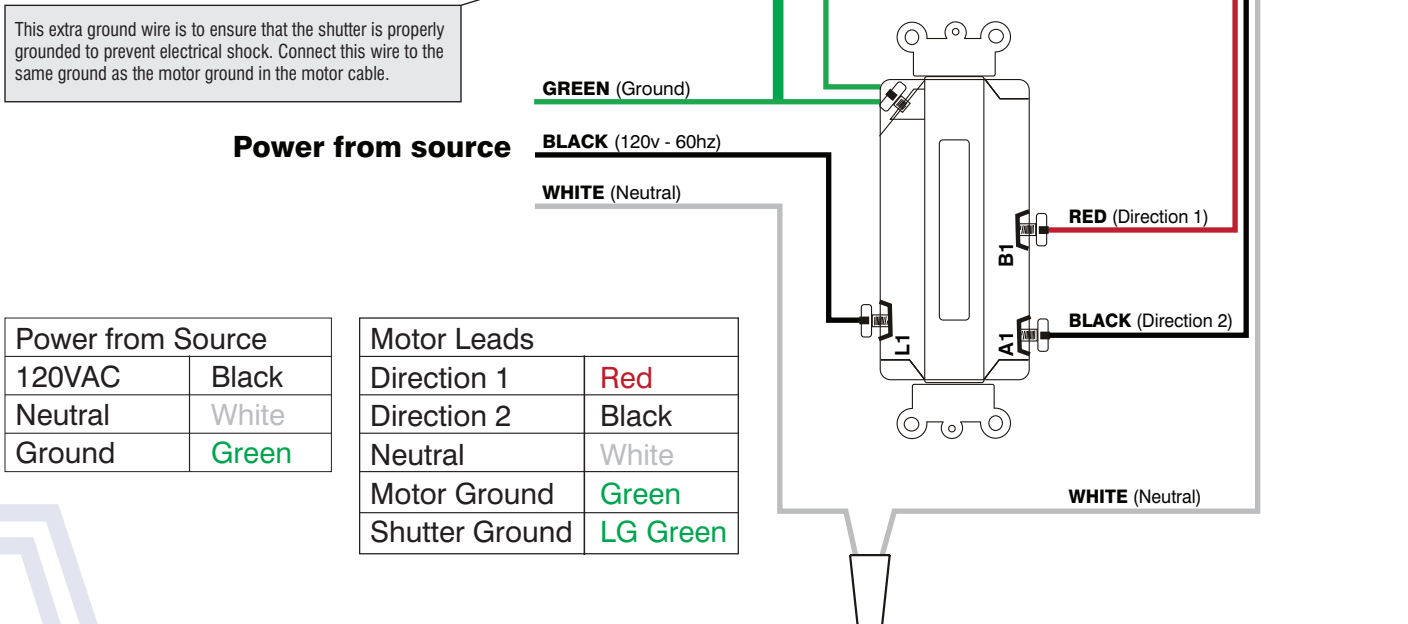
If your application requires more than one switch for each motor, or you want to control more than one motor with one switch, refer to isolation control instruction sheet.

The motor warranty is subject to cancellation if the above instructions are not followed.

PRECAUTIONS: Select conductors having 90°C or higher rated insulation having sufficient ampacity in accordance with the 60°C column of National Electric Code® Table 310-16 or Canadian Electric Code Table 2.

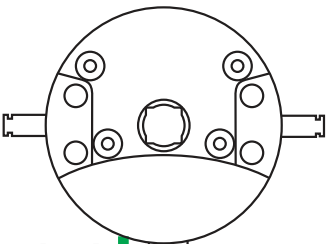
- Terminal capacity - #14 AWG to #10 AWG
- Strip conductors using strip gauge on switch body
- DO NOT USE TIN CONDUCTORS

This extra ground wire is to ensure that the shutter is properly grounded to prevent electrical shock. Connect this wire to the same ground as the motor ground in the motor cable.



Power from Source	
120VAC	Black
Neutral	White
Ground	Green

Motor Leads	
Direction 1	Red
Direction 2	Black
Neutral	White
Motor Ground	Green
Shutter Ground	LG Green



Standard Motor