

E100 FABRIC DOOR

Low Cost

Rugged yet economical solution for environmental separations where high speed is not a requirement.

Pre-wired operator with integral control panel requires minimal electrical wiring.

Door Curtain Material

Weather and puncture resistant fabric with a layer of woven polyester monofilament PVC, available in variety of colours.

Virtually Indestructible

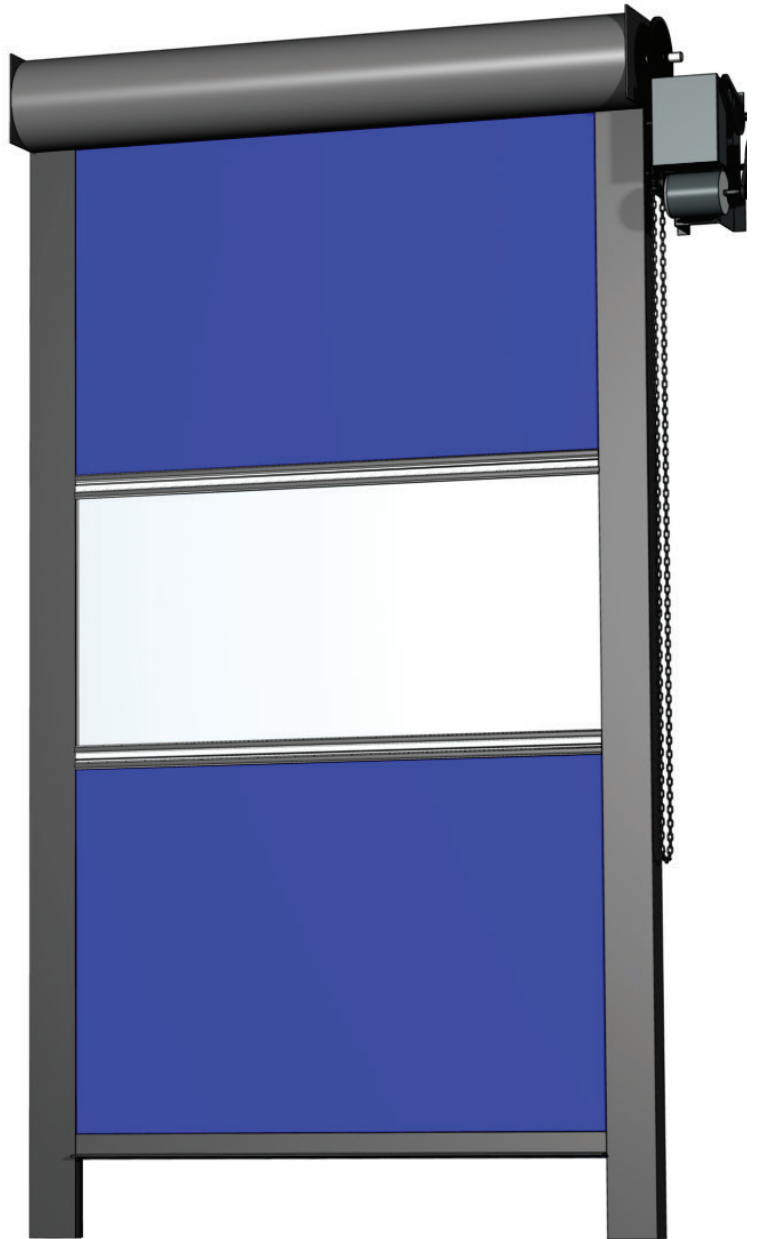
The optional break away bottom bar gives away at impact, allowing for fast and easy repair without the use of special tools.

Minimal Maintenance

Designed with fewer moving parts, the E100 provides worry free access through your opening, using only the best quality components available.

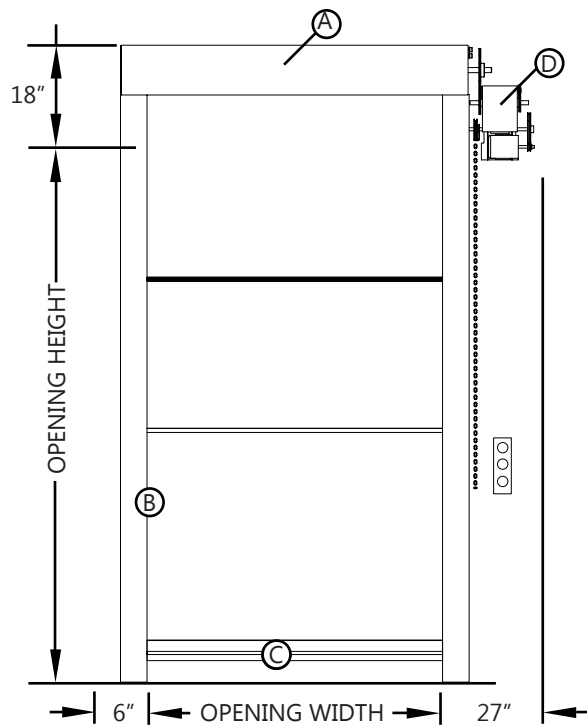
Zero Downtime

Even after an impact this door is designed to have you up and operating in minutes, allowing your facility to keep running without interruption.

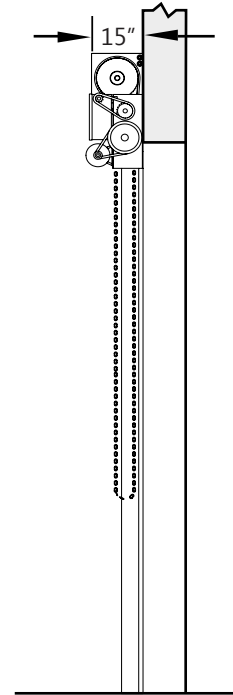


E100 DOOR DETAILS

TYPICAL DETAILS



- A Barrel & curtain assembly
- B Side guides
- C Bottom bar
- D Operator



NOTE:
Drawing not to scale.
Right hand drive is shown.

OPTIONS

- Weatherseal / Hood
- Operator covers
- Induction floor loops
- Motion / Presence detectors
- Pull cords
- Air wave safety edge
- Semi-automatic bottom bar rest
- Radio control systems
- Warning horn and/or beacon
- Photocells for safety
- Clear PVC vision panel

FEATURES

- Maximum size: 12' wide x 12' high
- Header clearance: 18" above clear opening
- Fabric: PVC coated polyester monofilament
- Side guides: Structural angle guides
- Input voltage: 1 or 3 phase
- Motor HP: As required