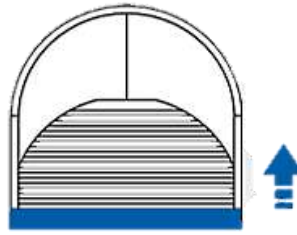


Installation Instruction



TYPE R

Please read these instructions entirely before attempting to install your order!!!

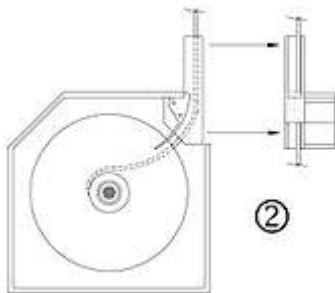
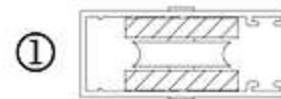
Before Installation

Unpack all shutters and accessories and inspect for damage. Also check to ensure that all shutter accessories have been sent that are needed for installation; e.g. switches, screws, spacers. If any parts are missing or any damage is found, please contact Alutech United immediately.

Installation

These instructions are for Studio Star shutters type R, which only includes shutters with an arched top. This example of an installation pictures a shutter motorized on the right side; however, the same applies to a motor left shutter except the position of the "motor side" guiderail and the "pulley side" guiderail are opposite.

Step 1. Install L-angle sill onto wall of structure. The sill will support the housing of the shutter; it must be secured to the wall every 12" using stainless steel #12 flat head sheet metal screws or a similar type fastener.



Step 2. Locate the guiderails. **NOTICE:** Each of the two guiderails are different from one another. Having a single cord guide at the top of the guiderail (1) can identify the guiderail that will be installed on the pulley side of the shutter; the guiderail to be installed on the motor side of the shutter does not have a pulley installed in it.

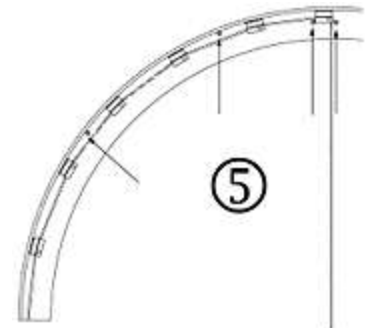
Step 3. Remove the front housing cover and find the "pulley" side of the shutter. Unravel the tension cord that is supplied with the shutter. Now the cord must be run through the double cord guide (2) inside the end cap. Very important: The double cord guide on the inside of the end cap has two grooves in it; the tension cord **MUST** ride on the innermost (facing the curtain of the shutter) groove (2)



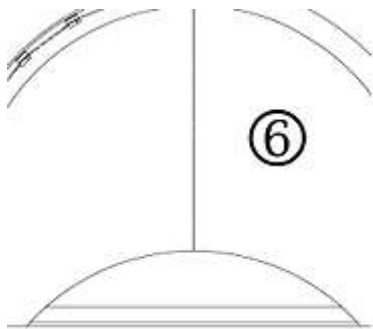


Step 4. Fish the tension cord into the guiderail through the 1x1 square channel of the guiderail. At the top of the guiderail, the tension cord must ride on the groove of the cord guide. Run the tension cord over top of the cord guide in the Guiderail (3) and let the end of the tension cord hang out.

Step 5. Insert the guiderails onto the "ears" of the end caps on the appropriate sides. Attach the guiderails and housing to the wall making sure that the guiderails are plumb and level. Additionally, check the width of the shutter from the outside edges of the guiderails and compare that to the width of the housing to ensure that your shutter is square.



Step 6. The tension cord must now be threaded through the cord guides in the arch as shown in figure (4)



Step 7. Attach the arch to the wall using the supplied spacers and fasteners. Note the typical placement of these fasteners in figure (5). Attach the arch to the guiderails using two 1/4" hex head self tapping screws on each side making sure that the screws are placed so that they will not interfere with the pulley or cord.

Step 8. Now the tension cord must be attached to the base slat. Run the tension cord down to the base slat from the center of the arch and insert into the predrilled hole located in the center of the base slat as shown in figure (6) Fish the tension cord through the base slat and tie a secure double knot on the end of the tension cord.

Step 9. Pull any slack in the cord up by carefully rotating the pulley towards you.

Step 10. All Studio Star shutters come pre-adjusted by a factory technician; adjustment should only be made if the preset limits or torque settings are not correct. Before operating the shutter for the first time, make sure that you remove all packing materials from inside the housing. During the initial run you must also remove any paper or foam that was installed inside the curtain to prevent shipment damages. If necessary, attach a tester cable to the motor and adjust the limit settings, followed by the torque settings (refer to the Motor Adjustment Instructions and Torque Setting Adjustment instructions supplied by Alutech United).

Step 11. Re-attach the front housing cover to the shutter and weatherproof the installation using caulk or sealant.